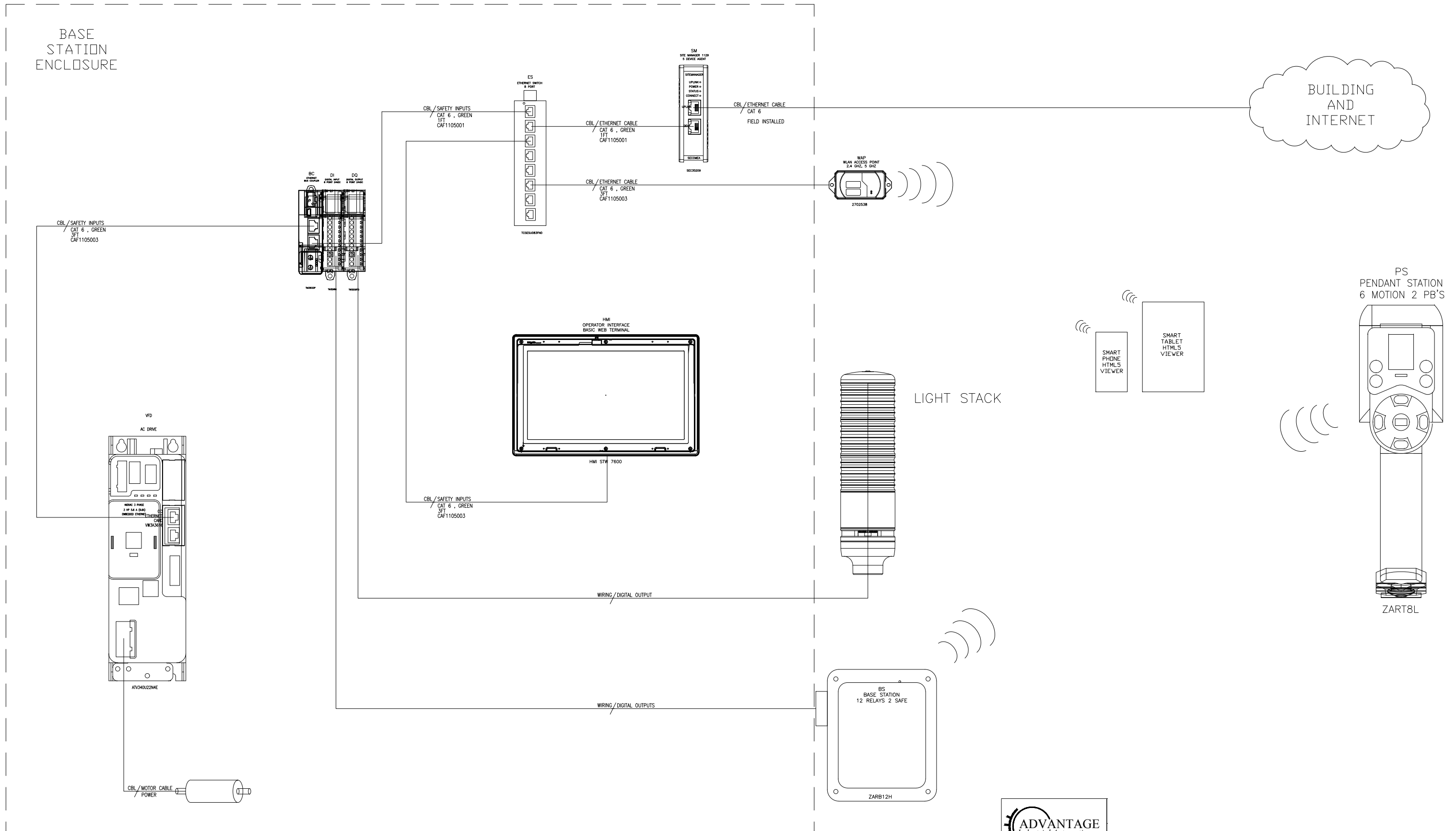


**ADVANTAGE**  
Industrial Automation

4775 River Green Parkway  
Duluth, GA 30096  
(770) 447-4474  
www.Advantageind.com

The information depicted herein is the property of Advantage Industrial Automation. This drawing may not be disclosed, reproduced or communicated to others except as authorized by Advantage Industrial Automation.



**ADVANTAGE**  
Industrial Automation

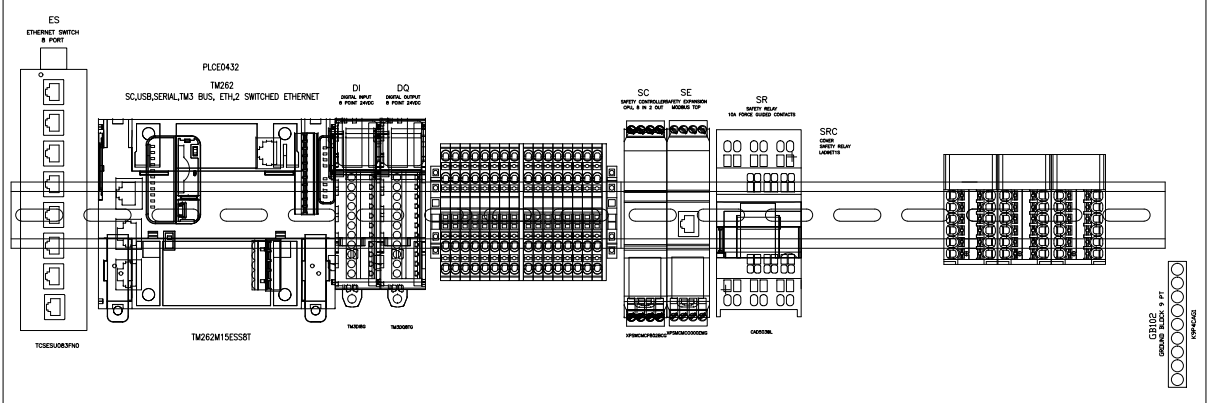
4775 River Green Parkway  
Duluth, GA 30096  
(770) 447-4474  
www.Advantageind.com

The information depicted herein is the property of Advantage Industrial Automation. This drawing may not be disclosed, reproduced or communicated to others except as authorized by Advantage Industrial Automation.

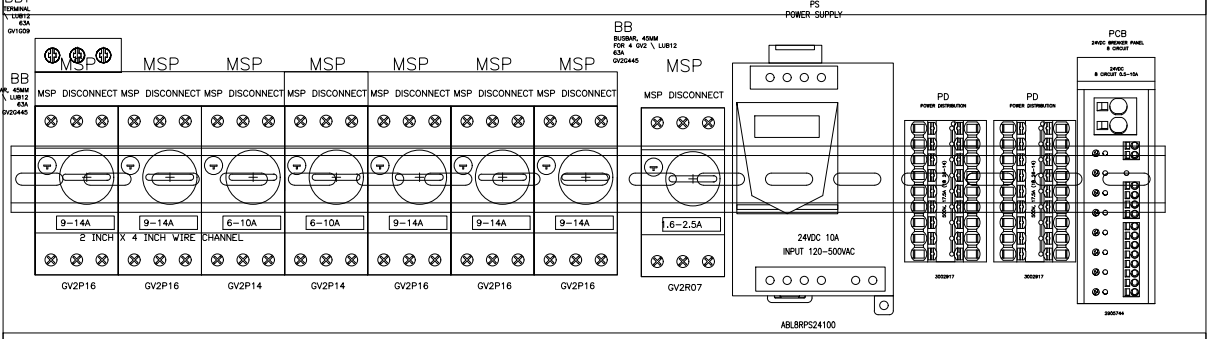
29.98

37.85

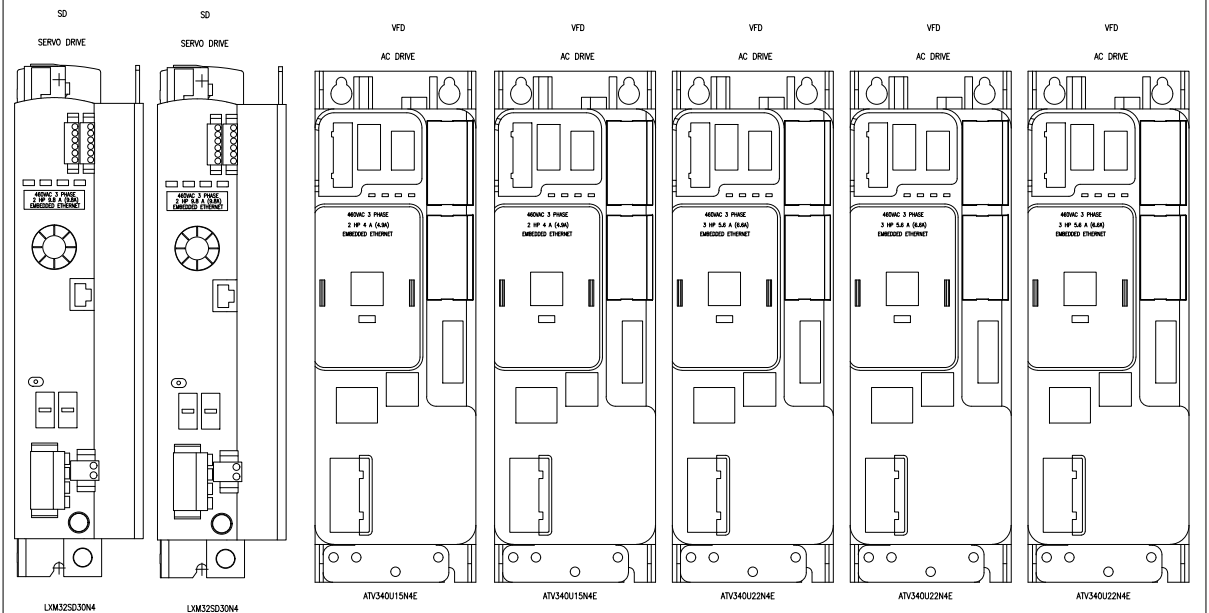
2 INCH X 4 INCH WIRE CHANNEL



2 INCH X 4 INCH WIRE CHANNEL



2 INCH X 4 INCH WIRE CHANNEL

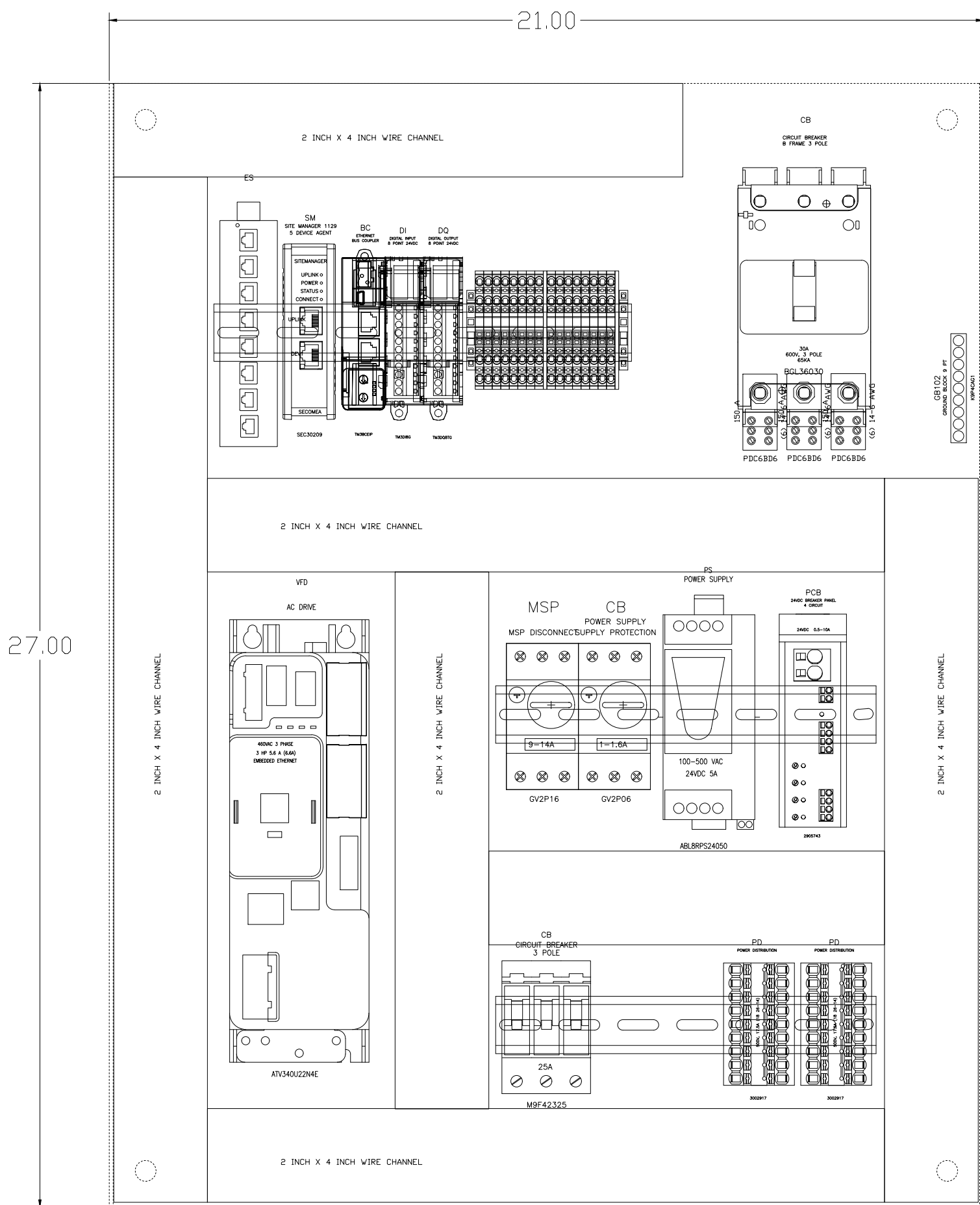


2 INCH X 4 INCH WIRE CHANNEL

**ADVANTAGE**  
Industrial Automation

4775 River Green Parkway  
Duluth, GA 30096  
(770) 447-4474  
www.Advantageind.com

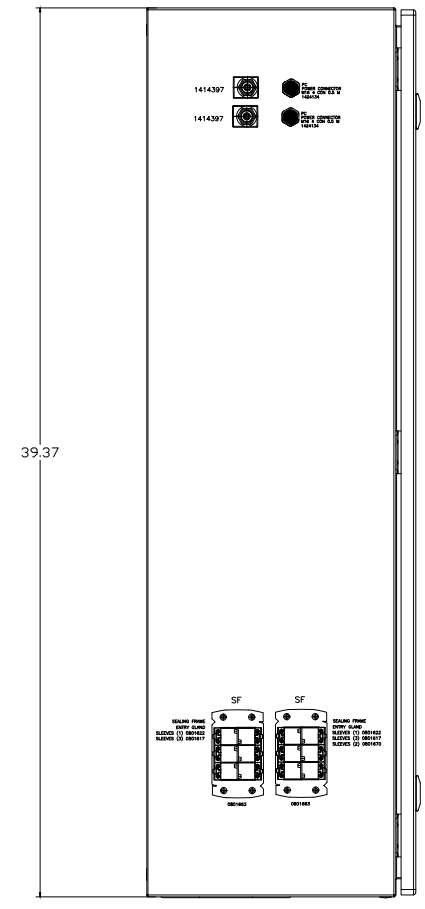
The information depicted herein is the property of Advantage Industrial Automation. This drawing may not be disclosed, reproduced or communicated to others except as authorized by Advantage Industrial Automation.



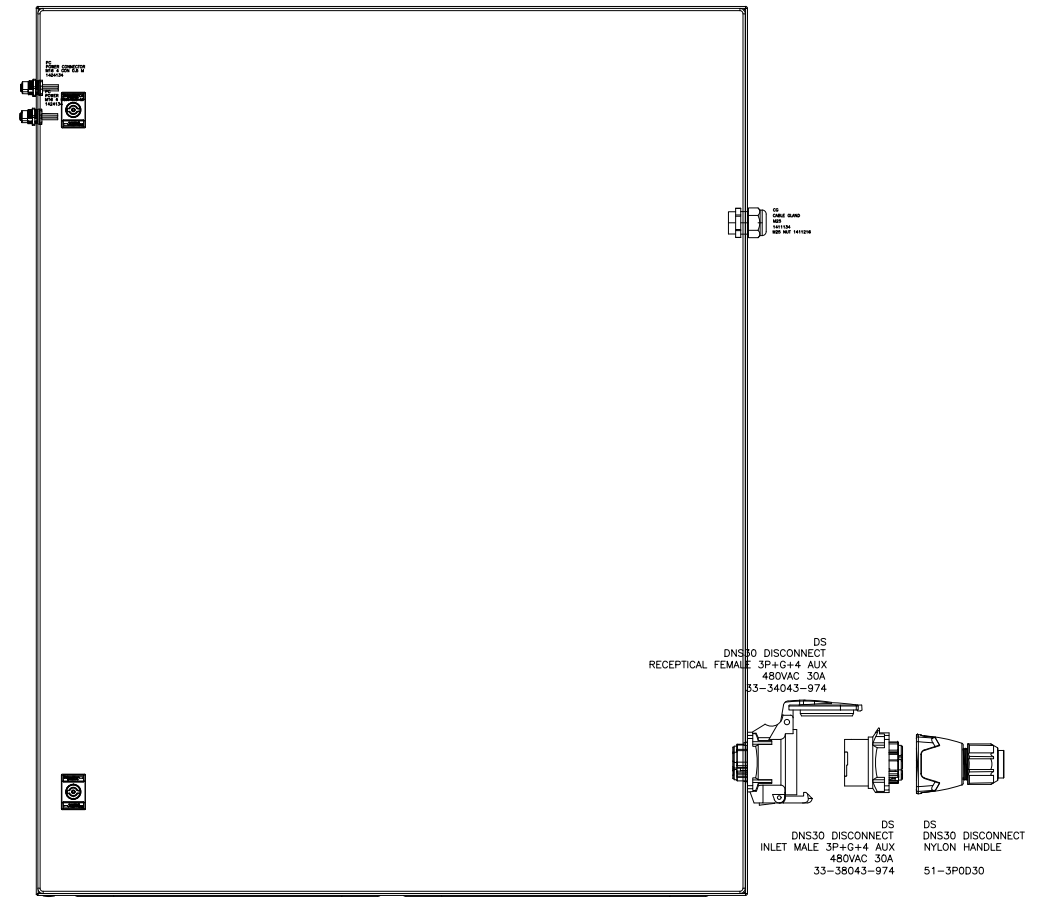
**ADVANTAGE**  
Industrial Automation

4775 River Green Parkway  
Duluth, GA 30096  
(770) 447-4474  
www.Advantageind.com

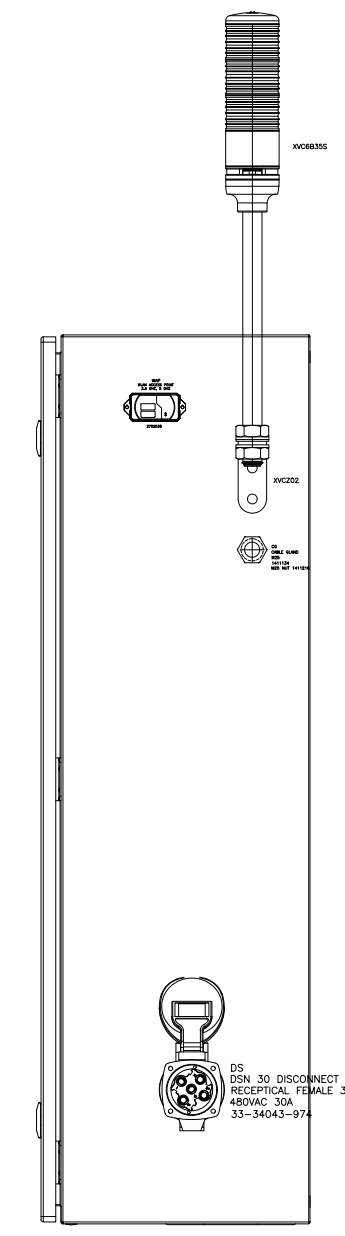
The information depicted herein is the property of Advantage Industrial Automation. This drawing may not be disclosed, reproduced or communicated to others except as authorized by Advantage Industrial Automation.



LEFT SIDE VIEW

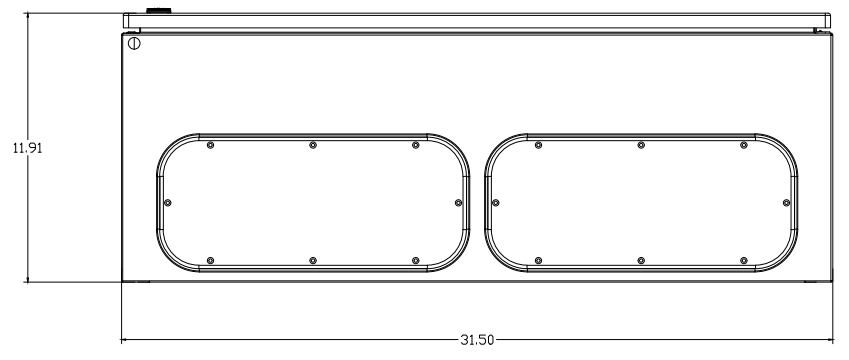
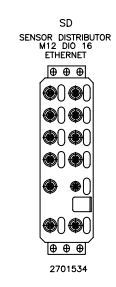


FRONT VIEW



RIGHT SIDE VIEW

NSYCRN108300

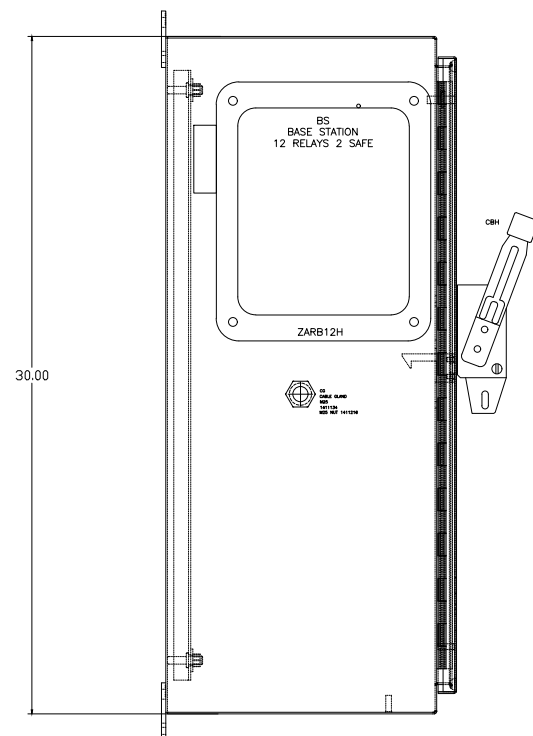
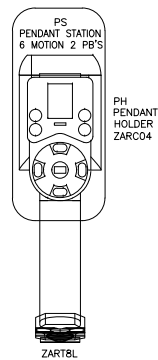


BOTTOM VIEW

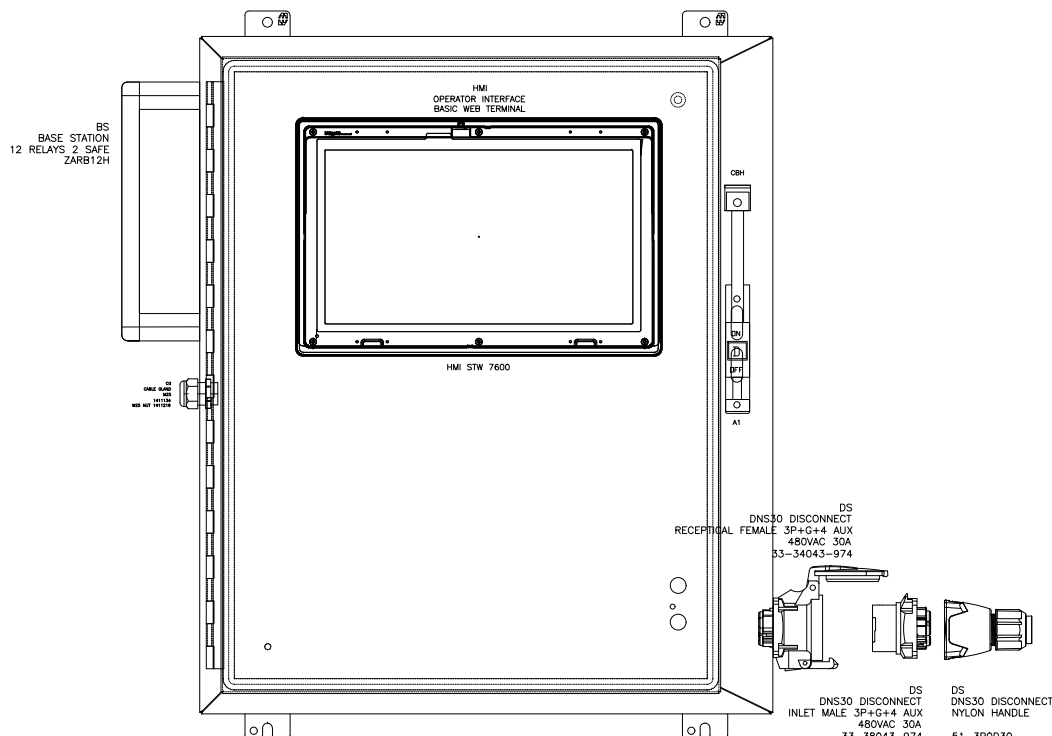
**ADVANTAGE**  
Industrial Automation

4775 River Green Parkway  
Duluth, GA 30096  
(770) 447-4474  
www.Advantageind.com

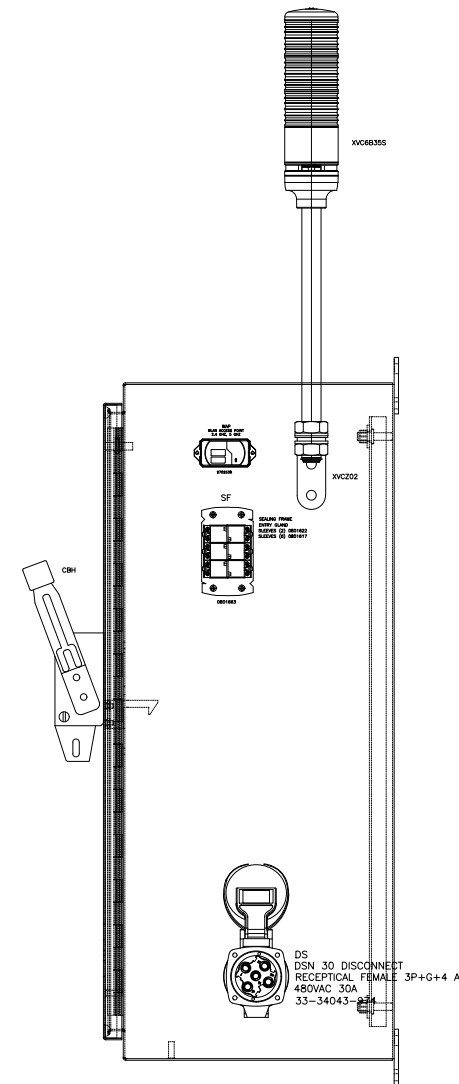
The information depicted herein is the property of Advantage Industrial Automation. This drawing may not be disclosed, reproduced or communicated to others except as authorized by Advantage Industrial Automation.



LEFT SIDE VIEW

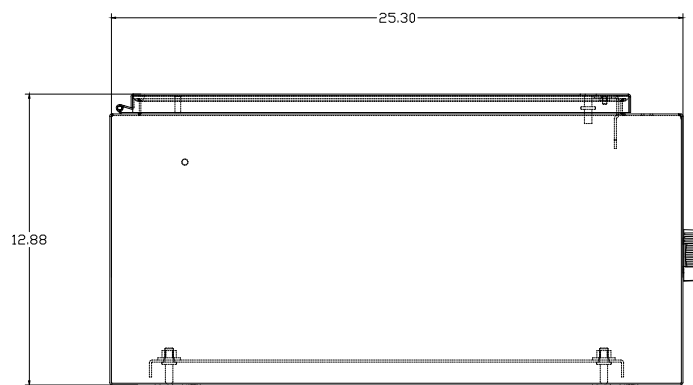


FRONT VIEW



RIGHT SIDE VIEW

HAMMOND 1447SE12



BOTTOM VIEW

<p>4775 River Green Parkway Duluth, GA 30096 (770) 447-4474 www.Advantageind.com</p> <p>The information depicted herein is the property of Advantage Industrial Automation. This drawing may not be disclosed, reproduced or communicated to others except as authorized by Advantage Industrial Automation.</p>	PROJECT TITLE: FAST AUTO UNLOADER CONCEPT PROJECT			
	DRAWING DESCRIPTION: BASE STATION ENCLOSURE LAYOUT			
	EXTENDED DESCRIPTION: MECHANICAL DIAGRAM			
	SIZE B	PROJECT NO: 3603	DWG NO. 3603 61	
DRAWN BY: TAA	REV: 0.1	REVSTATUS: PRELIMINARY	DATE: 8/1/19	
SEC:	SUB SEC:	SCALE: 1:1	SHEET 61 LAST SHEET 61	